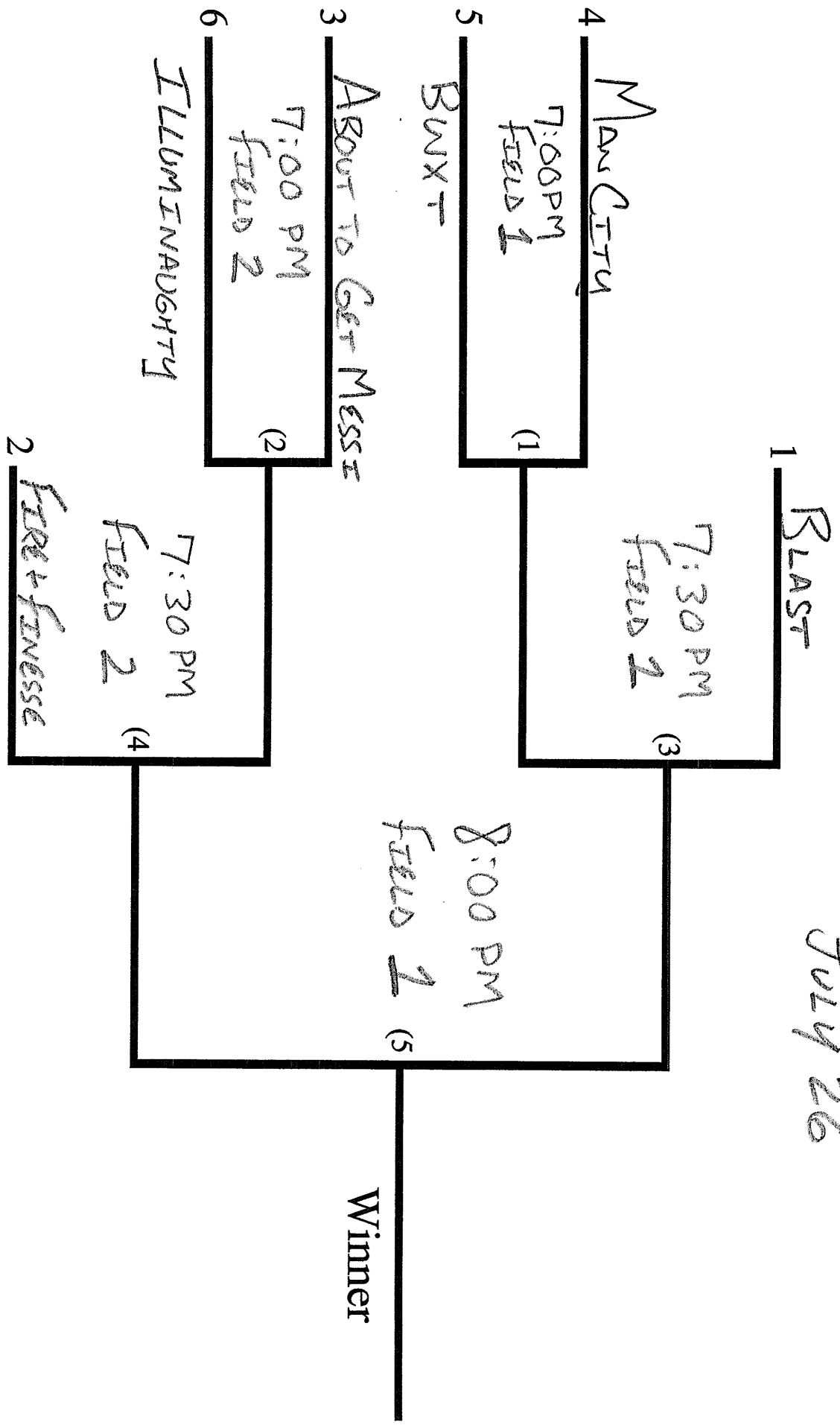


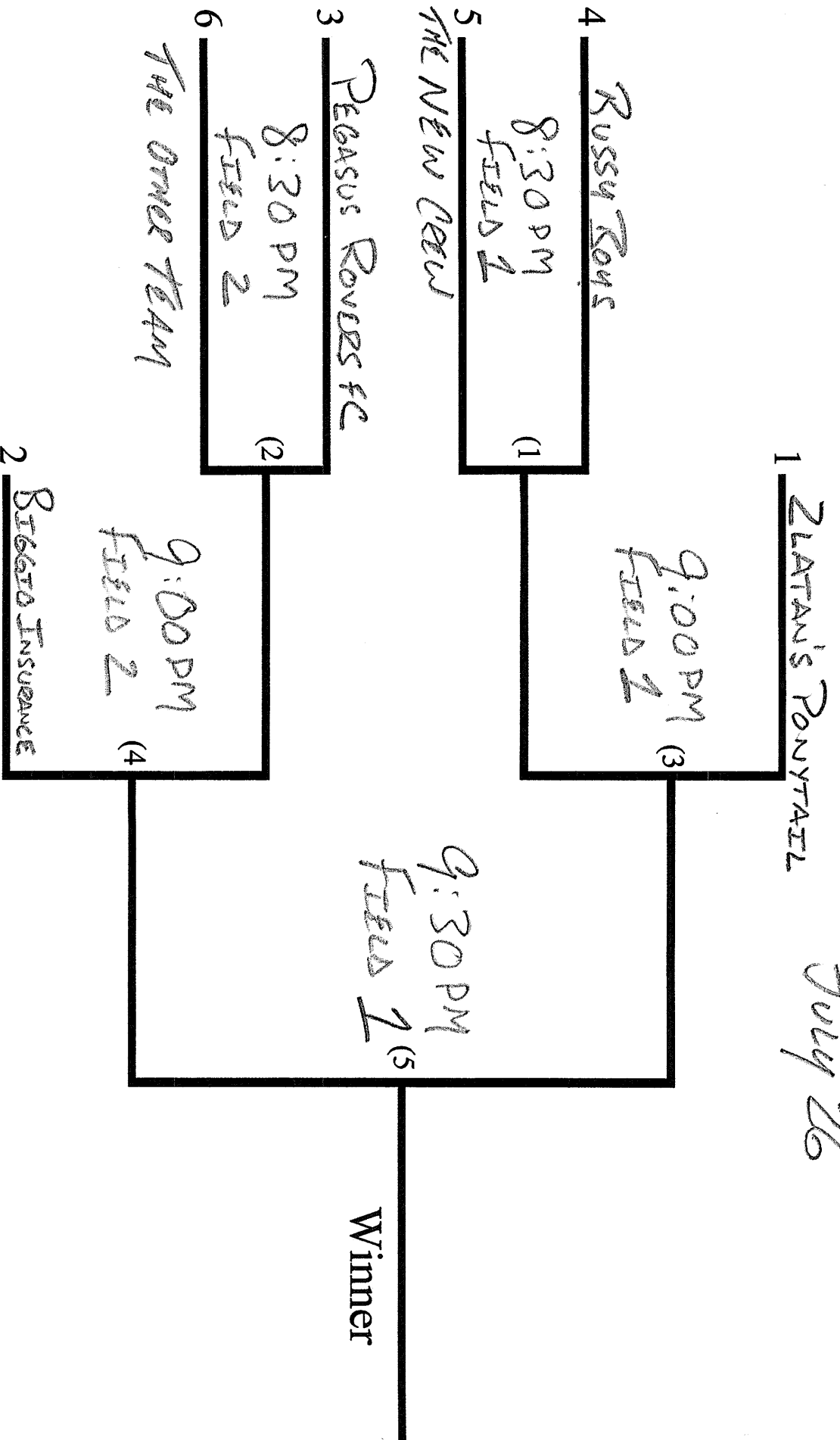
# 6 Team Single Elimination

ADULT Over 30  
JULY 26



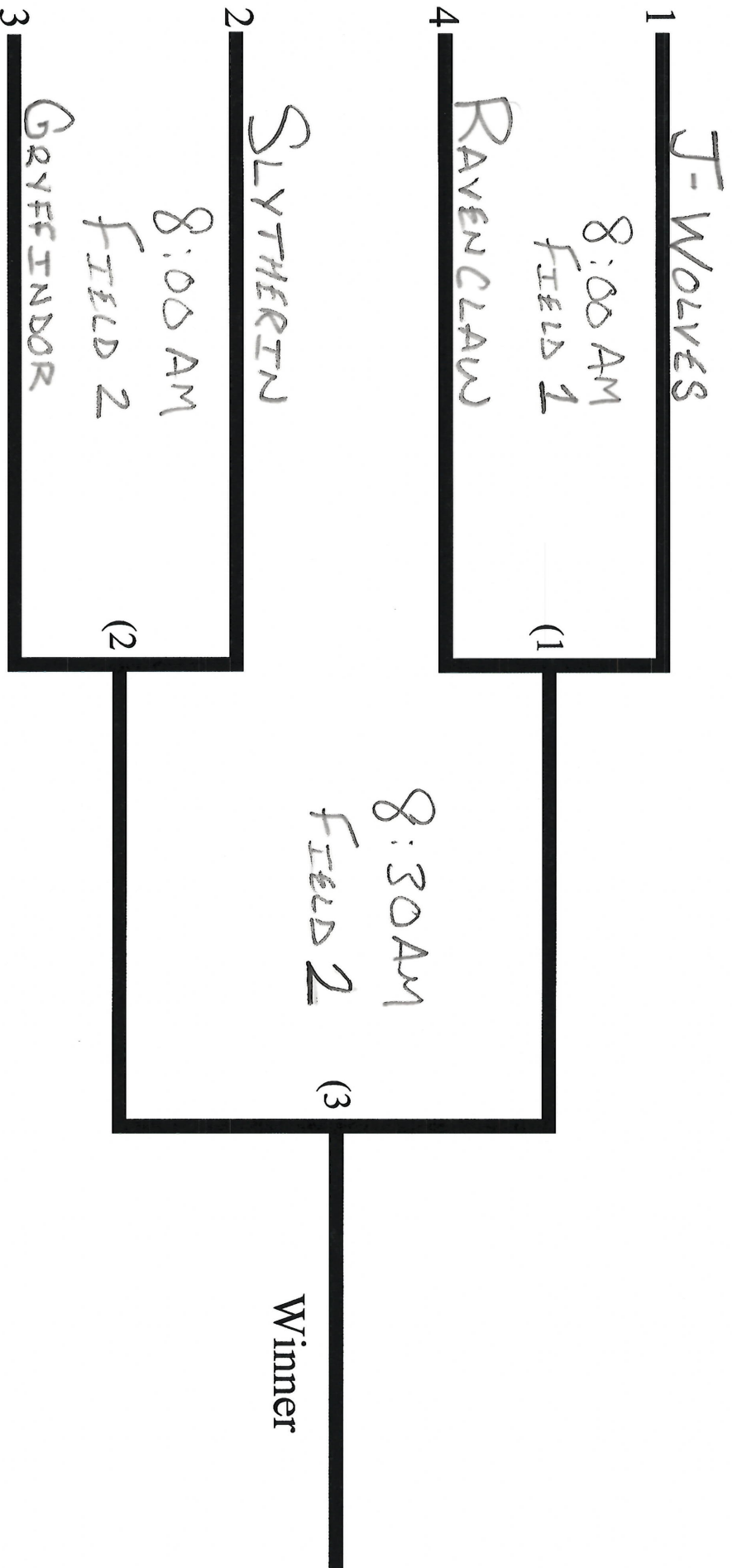
# 6 Team Single Elimination

ABOUT OPEN  
July 26



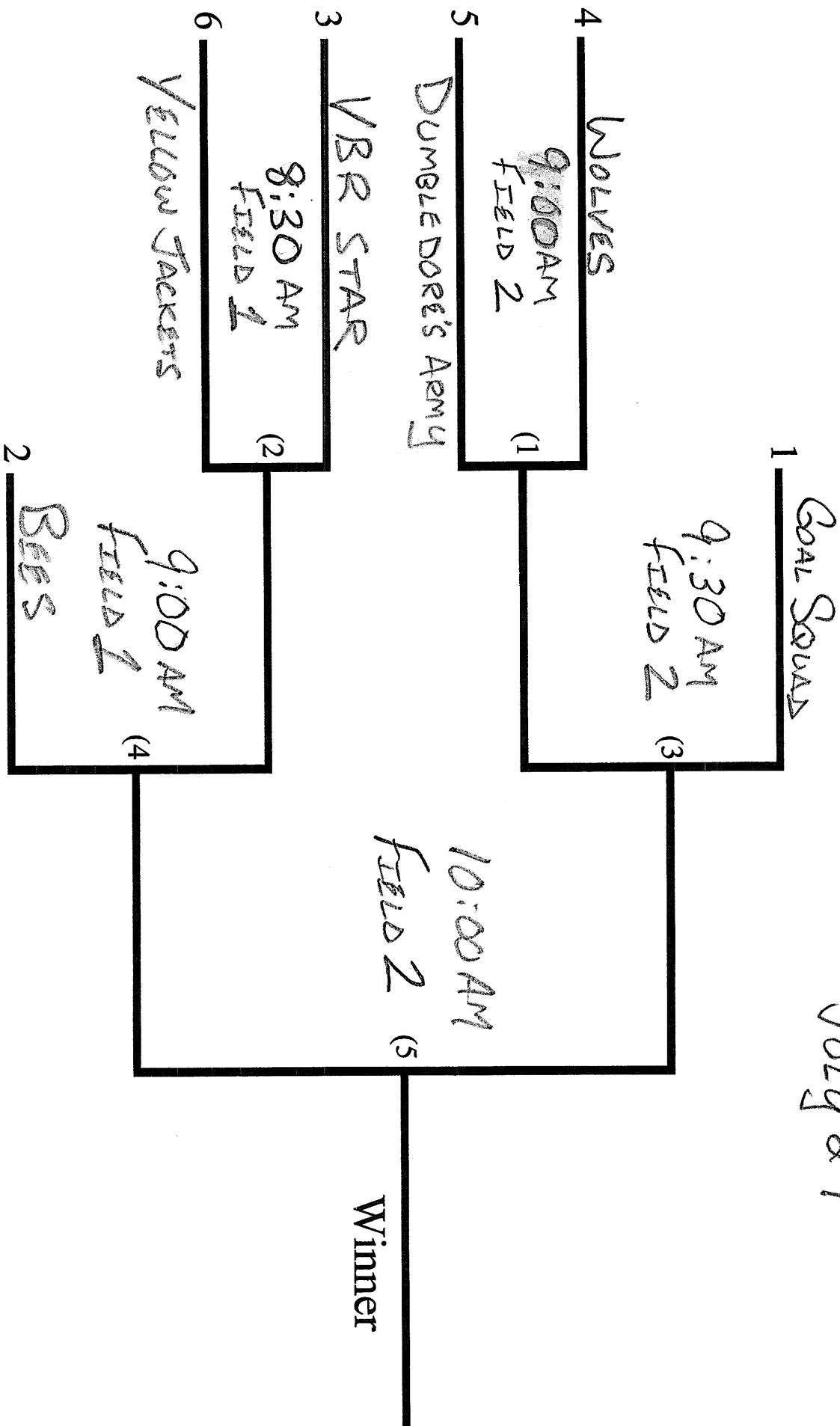
# 4 Team Single Elimination

UNDER 10  
July 27



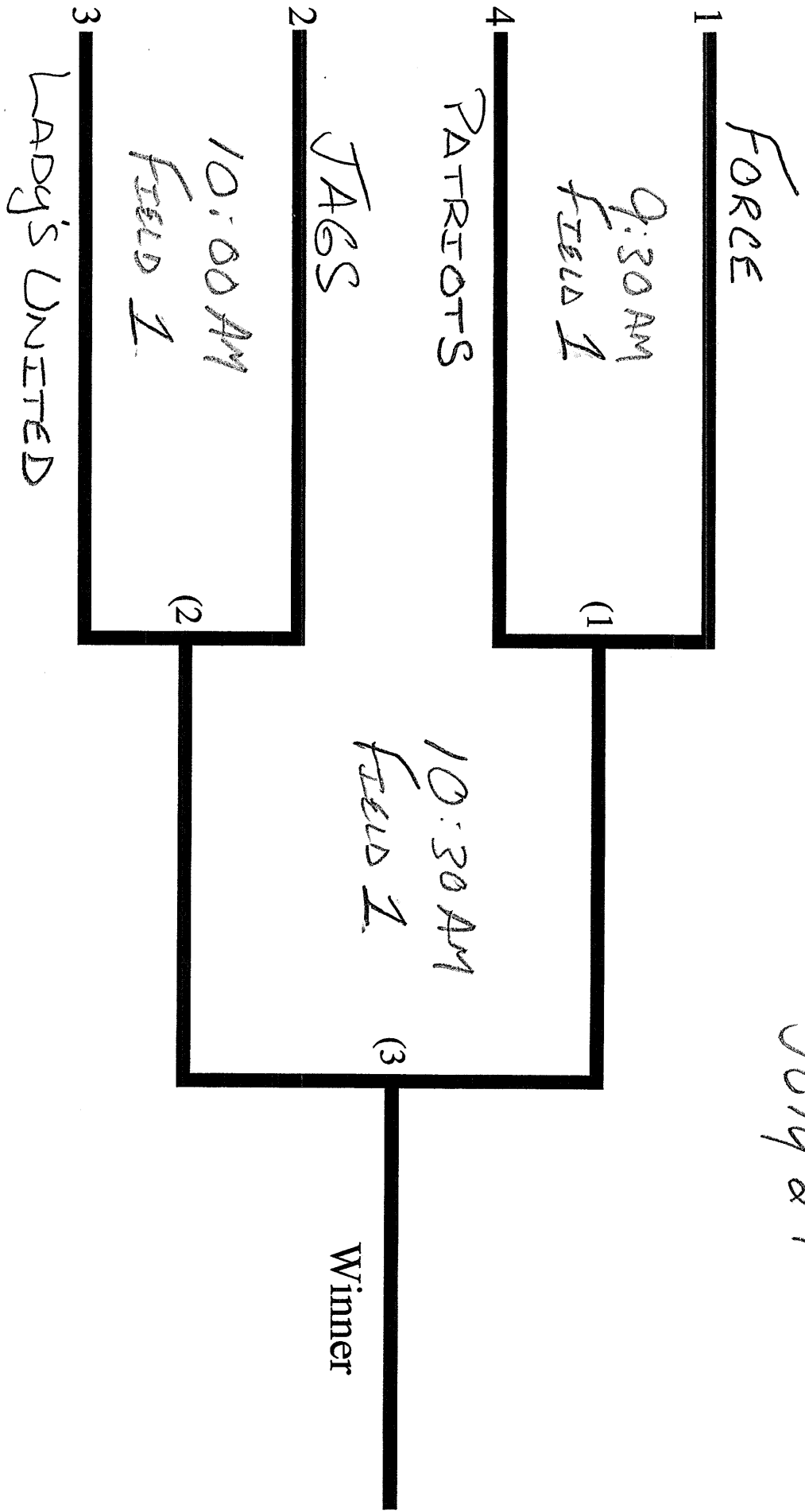
# 6 Team Single Elimination

UNDER 12  
JULY 27



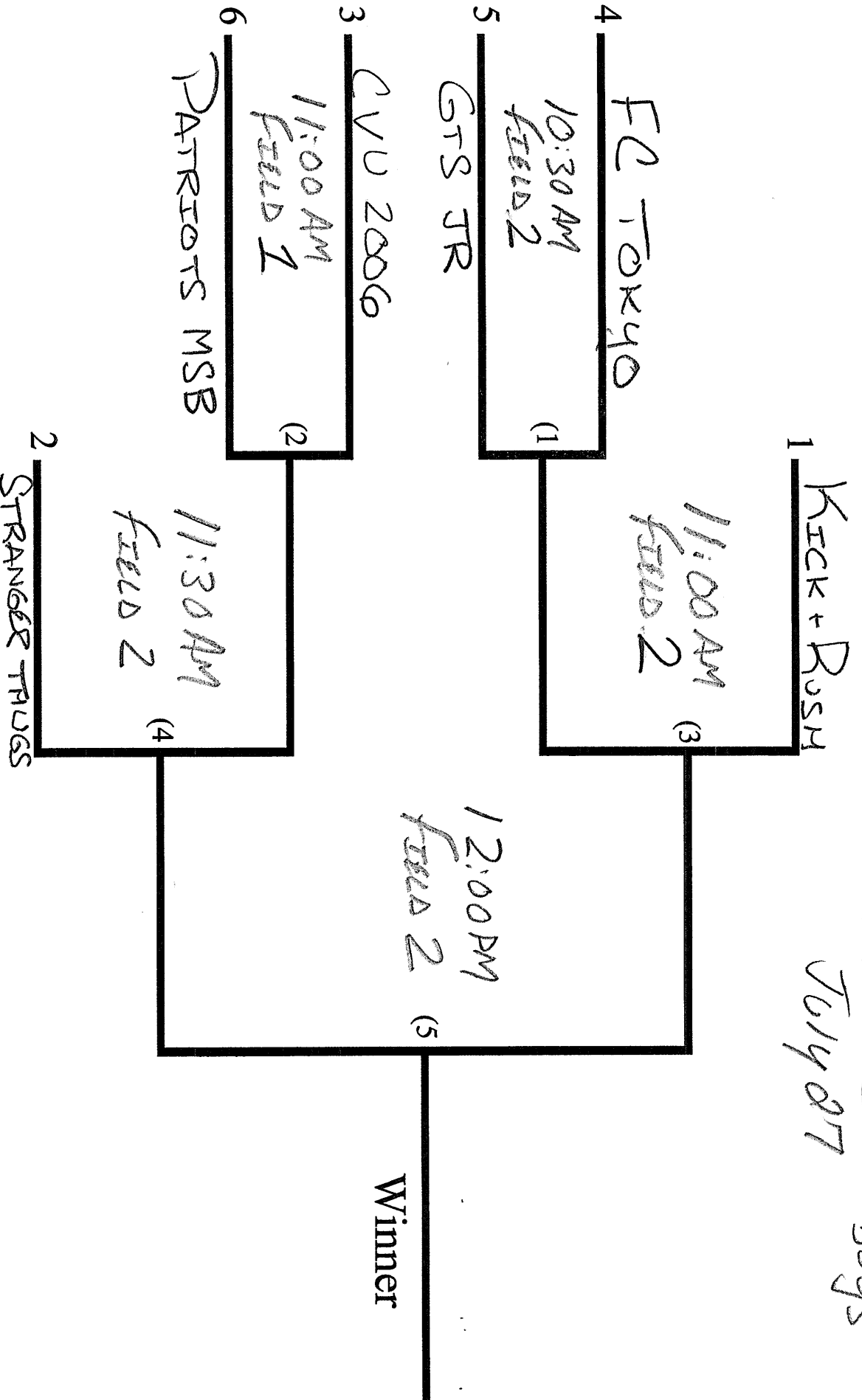
# 4 Team Single Elimination

Middle School  
Bees  
July 27



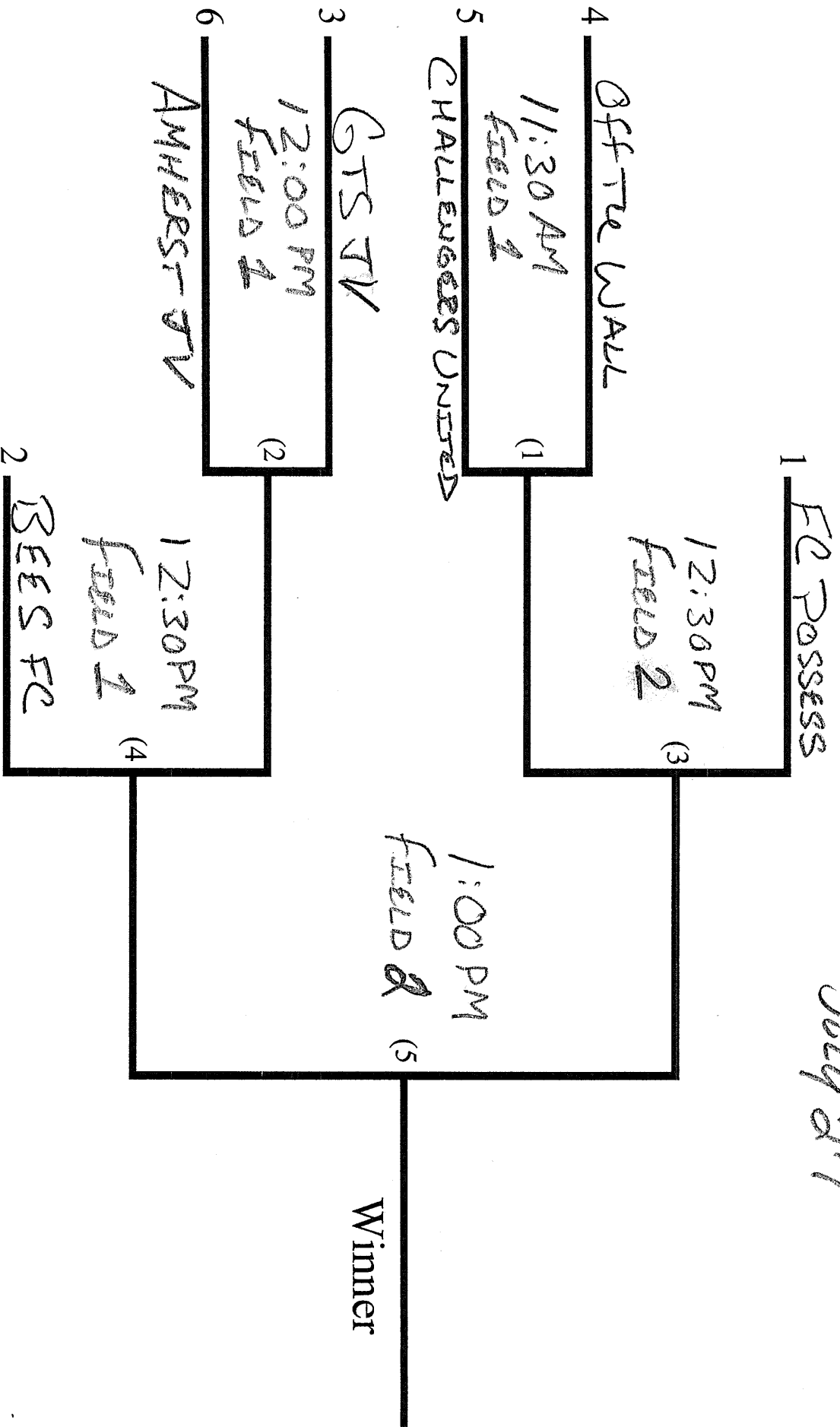
# 6 Team Single Elimination

Middle School Boys  
July 27



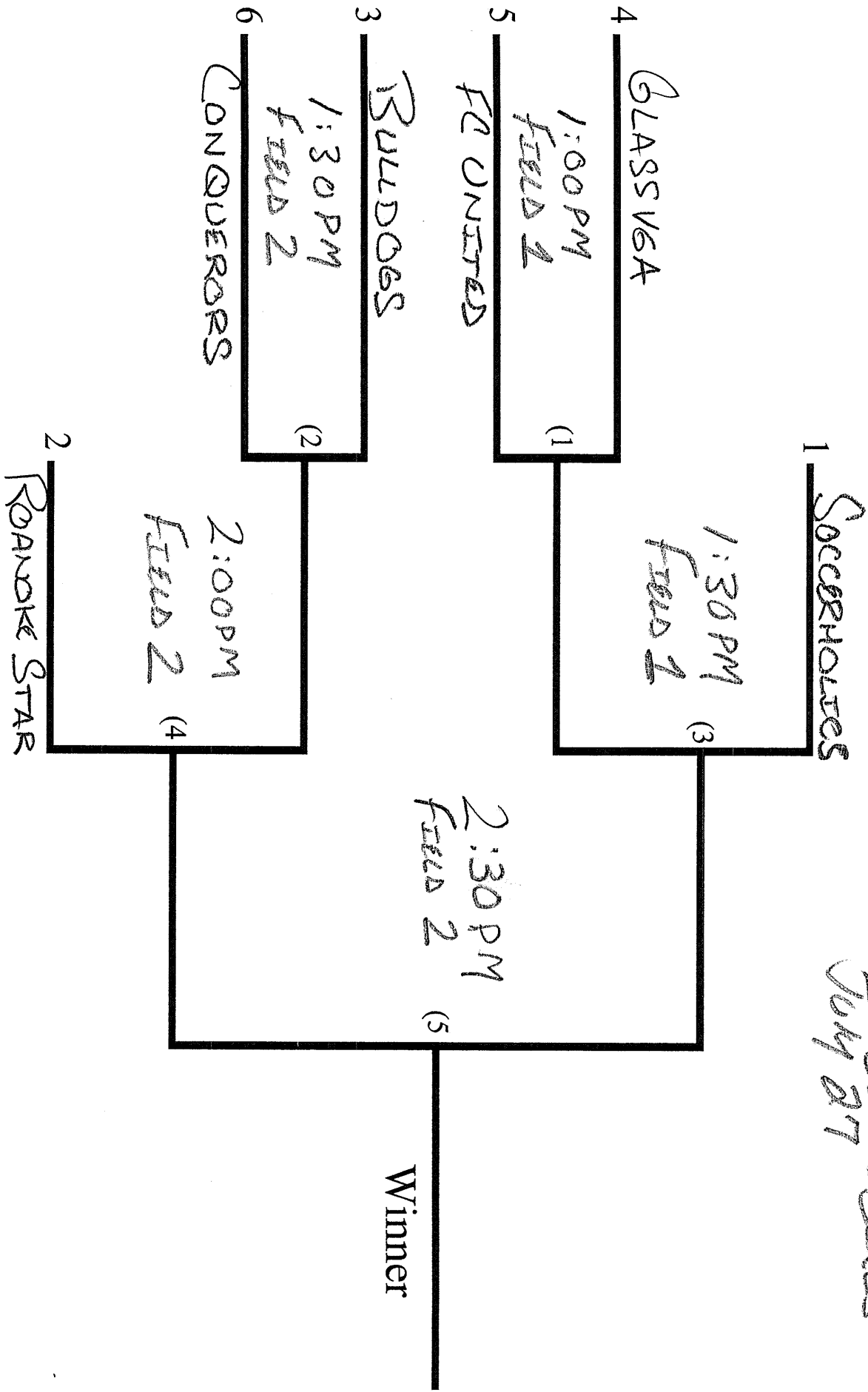
# 6 Team Single Elimination

TV Boys  
July 27



6 Team Single Elimination

*High School Sports  
July 27*







8 Team Single Elimination

*Heartache Boys  
July 27*

